

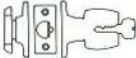












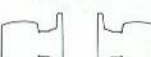


SEVEN LOCK

FUNCTION CHART

DOORS	FUNCTION NO.	Inside	Outside	FUNCTION DESCRIPTION	SERIES			
					SH	SD	SS	SM
Entrance	G35TH			Same as G26 except with thumb turn in inside knob instead of cylinder.		●		
Class Room, Storage	G37			From outside by knob except when locked from outside by key. From inside by knob at all times. Deadlocking (Guarded) latch bolt.	●	●	●	
Closet	G38			Locked or unlocked by key from outside. Inside turn knob always operative. Deadlocking (Guarded) latch bolt.	●	●	●	
Exit or Twin Communicating	G39			Blank plate outside. Key inside locks or unlocks inside knob. No outside operation. Deadlocking (Guarded) latch bolt.	●	●	●	
Service Station	G44			By both knobs. Outside knob locked by pushing inside button when door is closed (preventing accidental lockout). Key or inside knob releases outside knob and inside button except when coin slot in button is turned while depressed. Deadlocking (Guarded) latch bolt.	●	●	●	
Hotel or Mortel	G50			Outside knob rigid at all times. From outside by guest key, master or grand master key, except when shut out button is used. Emergency key operates at all times. Outside is equipped with indicator pin. Deadlocking (Guarded) latch bolt.	●	●		
Dormitory	G54			By both knobs. Locked by push button inside or key outside. Turning inside knob or closing door release push button and unlocks outside knob, unless outside knob has been locked by key. Key outside unlocks outside knob and releases push button. Deadlocking (Guarded) latch bolt.	●	●		
Patio or Exit	G63			By both knobs. Turn button in inside knob locks or unlocks outside knob. No key operation. Deadlocking (Guarded) latch bolt.	●	●	●	
Patio or Exit	G63P			Same as above except push button.		●	●	
Patio, Balcony or Inner Office	G64			By both knobs. Push button in inside knob locks outside knob. Inside knob or closing door releases button. Deadlocking (Guarded) latch bolt.	●	●	●	
Patio, Balcony or Inner Office	U64			Same as above but un-guarded.		●	●	
Bath Room, Toilet	U65			By both knobs. Push button in inside knob locks outside knob. Inside knob or closing door releases button. Emergency opening from outside.	●	●	●	●
Bath Room, Toilet	U65-3			Same as U65, except closing the door does not release button.		●	●	
Bath Room	U66			Ditto, except with construction cylinder in outside knob. After construction is over the cylinder is killed only to work as emergency cylinder.				●
Communicating Room	G75			By both knobs. Deadlocking (Guarded) latch bolt. Turning button in either knob locks or unlocks opposite knob (SH-G75) or both knobs (SD-G75, SS-G75). Note: Do not use in rooms without another exit.	●	●	●	
Dummy	U94			Double pull knob both sides. No mechanical operation.	●	●	●	

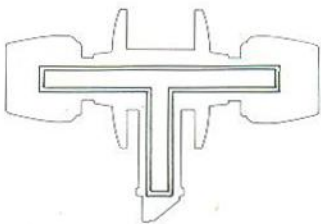
Conform to U.S. FF-H-106b. 161 Series



photo: equipped with X-key cylinder

SH-G25-GA

T-ZONE



- 1) Fail proof against wrong alignment.
- 2) Highest security assured by special steel alloy armour plate in outside knob spindle which prevents unlocking when vandalized.
- 3) Outside knobs are specially designed to prevent wresting off.
- 4) Spindle made of special steel alloy gives a long life and precise operation.

FEATURES

SH Series Lock is a Tubular type Heavy Duty door lock with unique T-ZONE construction.

FAST AND SIMPLE ASSEMBLY

GREATER STRENGTH

SMOOTHER OPERATION

LONGER LIFE

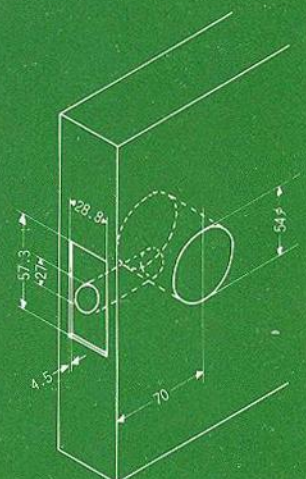
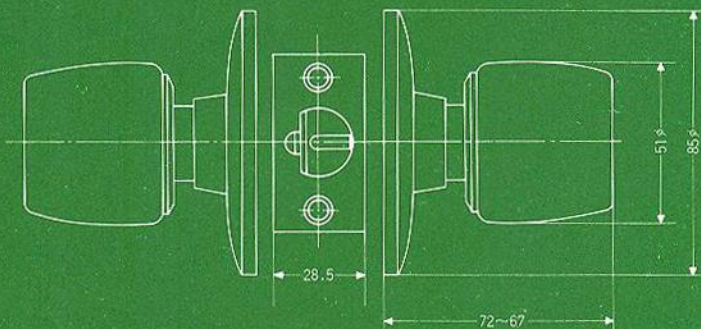
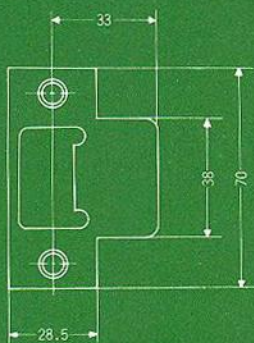
HIGHEST SECURITY

SPECIFICATIONS

For Doors	35mm to 45mm thick and 40mm to 50mm thick. Specify when ordering.
Backset	70mm, 90mm and 127mm.
Case	Wrought bronze tube.
Front	Wrought bronze, wrought stainless steel.
Strike	Wrought bronze, wrought stainless steel.
Hand	Completely reversible.
Latch Bolt	Solid brass, chrome plated.
Aligning Tube	Precision machined from hard drawn brass rod.
Cylinder	6 pin tumbler. Can be masterkeyed or grand masterkeyed. Construction key system available. (available with X-key cylinders.)
Keys	Nickel silver.
Trim	Wrought bronze, wrought stainless steel with burgler-proof pin. Laminated wood knob available.
Finishes	US-10 US-26D US-32 US-32D

HOW TO ORDER (Example)

SH-G25-GA-32D-70-40W



STANDARD CUT-OUT

Conform to U.S. FF-H-106b, 160 Series

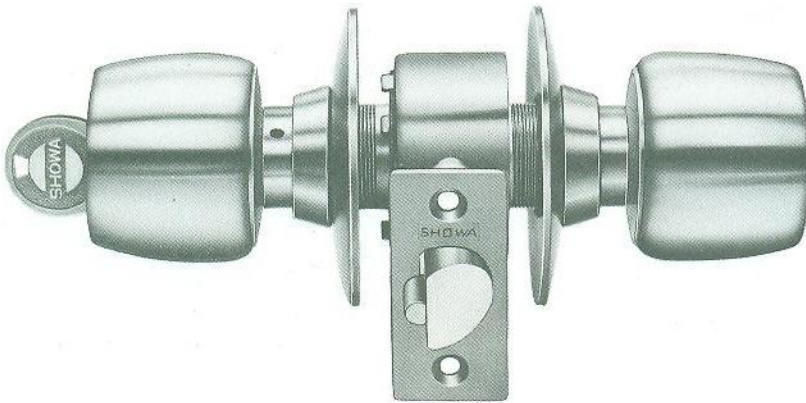


photo: equipped with X-key cylinder

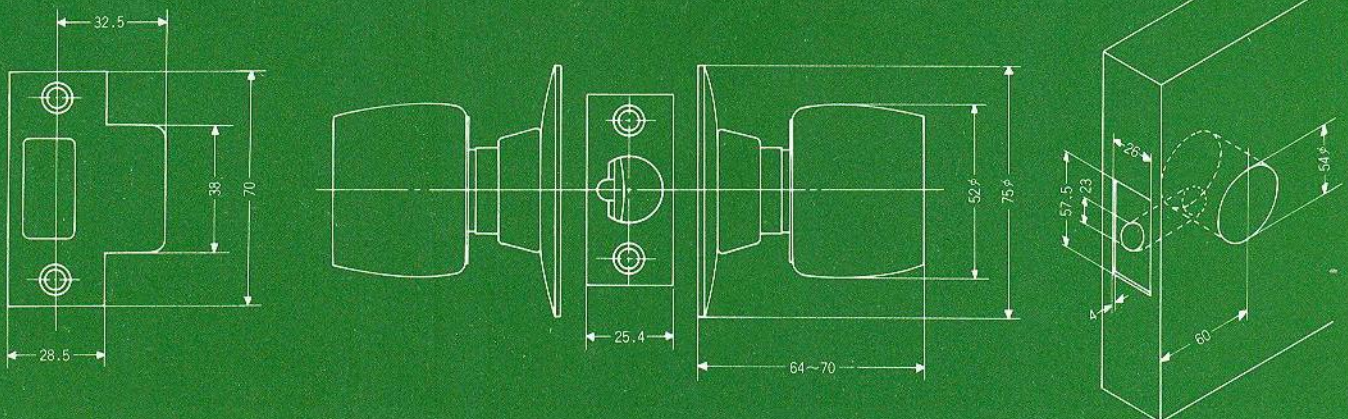
SD-G25-GA

SPECIFICATIONS

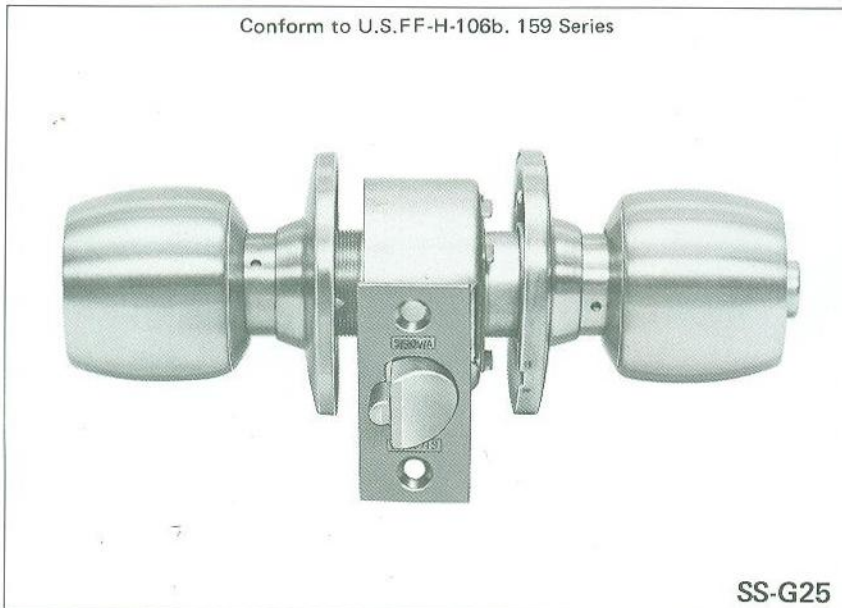
For Doors	25mm to 33mm thick, 33mm to 45mm thick and 42mm to 56mm thick.
Backset	60mm, 64mm, 70mm, 90mm, and 127mm.
Lock Case	Steel, zinc-dichromate plated and chrome-dipped.
Latch Case	Steel, zinc-dichromate plated and chrome-dipped.
Front	Stainless steel.
Strike	Stainless steel.
Hand	Completely reversible.
Latch Bolt	Solid brass, chrome plated.
Keys	Nickel silver.
Cylinder	6 pin tumbler. Can be masterkeyed or grand masterkeyed. Construction key system available. (available with X-key cylinders.)
Knob & Rose	Stainless steel. Laminated wood knob available.
Finishes	US-32 Polished stainless steel. US-32D Satin stainless steel.

HOW TO ORDER (Example)

SD-G25-GA-32D-60-40W



STANDARD CUT-OUT



SPECIFICATIONS

For Doors	25mm to 37mm thick, 33mm to 45mm thick and 43mm to 51mm thick.
Backset	60mm, 64mm, 70mm, 90mm and 127mm.
Case	Steel, zinc-dichromate plated and chronek-dipped.
Latch Case	Steel, zinc-dichromate plated and chronek-dipped.
Front	Stainless steel.
Strike	Stainless steel.
Latch Bolt	Die-cast zinc, nickel-chrome plated.
Keys	Brass, nickel plated.
Cylinder	5 pin tumbler. Can be masterkeyed or grand masterkeyed. (Available with X-key cylinders.)
Knob & Rose	Stainless steel.

FINISHES

Standard

US-32 Polished stainless steel.

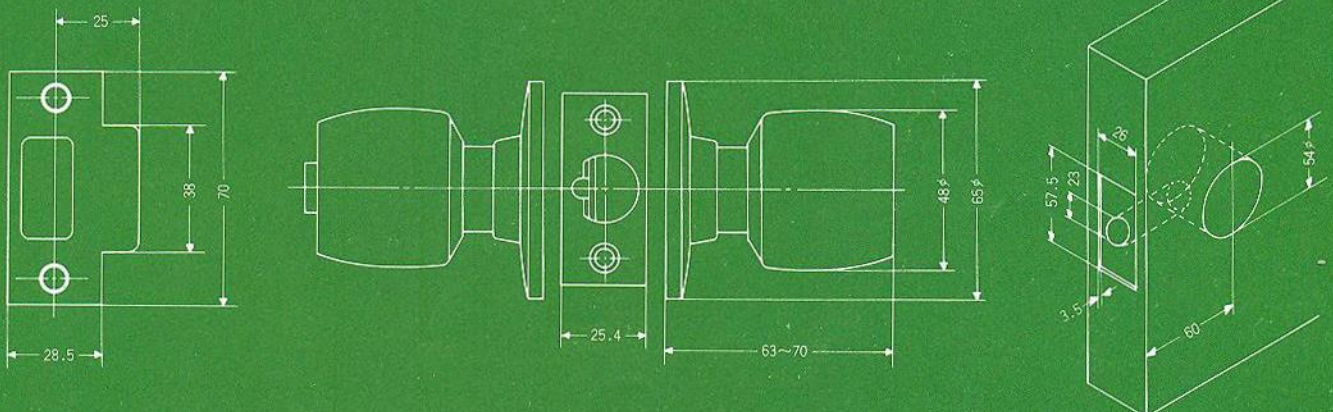
US-32D Satin stainless steel.

Available upon order:

Laminated wood knob

HOW TO ORDER (Example)

SS-G25-UA-32D-60-40W



STANDARD CUT-OUT