

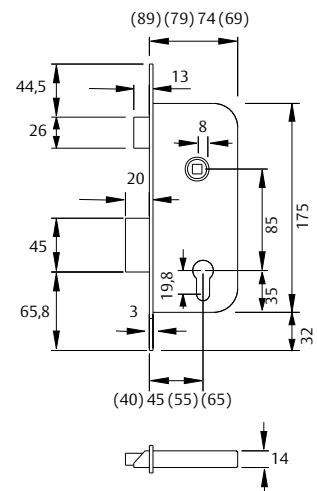
Building range

2030 series

- » Sashlock for timber doors.
- » Reversible.
- » Distance between axes: 85 mm.
- » Backset: 40/ 50/ 60/ 70 mm.
- » Follower: 8 mm. Thumbturn follower: 6 mm.
- » 1/2 rounded forend available.
- » Euro-profile 5 pin cylinder made to DIN V 18254 with 3 nickel plated steel sawn keys. HL/ AE finish: brass finished cylinder. HN/ NE/ AI finish: nickel finished cylinder.
- » Packed: 1/20 units.

Finish / entrance	40	50	60	70
Acero latonado (HL)	*	*	*	*
Acero niquelado (HN)	*	*	*	*
Acero esmaltado (HE)	*	*	*	*
Negro (NE)		*	*	*
Inox AISI 430 (AI)		*	*	*

Finish / entrance	40	50	60	70
2030	*	*	*	*
2031	*	*	*	*
2034	*	*	*	*
2035		*	*	*
2036	*	*	*	*



2030 Entrance

Features

- » Anti-friction Silent Tech latchbolt available: Smoother operation.

Operation

- » Reversible latchbolt withdraws from either side with levers or knobs or by cylinder.
- » 20 mm. double throw.

2030	Model	Backset	Finish	Packaging
	2030	40 / 50	HL	1 / 20
	2030	40 / 50	HN	1 / 20
	2030	40 / 50	AI	1 / 20
	2030	60 / 70	HL	1 / 20
	2030	60 / 70	HN	1 / 20
	2030	60 / 70	AI	1 / 20

2031 Store room

Features

- » Deadlock. Backset: 40/ 50/ 60 mm.
- » 2031-U: Same dimensions than 2030, 2034 and 2035.

Operation

- » 20 mm. double throw.

2031	Model	Backset	Finish	Packaging
	2031	40 / 50	HL	1 / 20
	2031	40 / 50	HN	1 / 20
	2031	60	HL	1 / 20
	2031	60	HN	1 / 20

Underline: "Express 5" service.

No underline: 15 working days maximum.

Institutional range

2030F series

Hospitals, schools, office buildings, ... deal with intensive public traffic and rough use.

Locks included in the Commercial Range bring together reliability and functionality, and combine also with handles, panic bars, electro-magnetic devices, etc. provided by TESA.

Las cerraduras 2030F de la gama Institucional están certificadas según la norma UNE-EN 12209. Certificado CE.

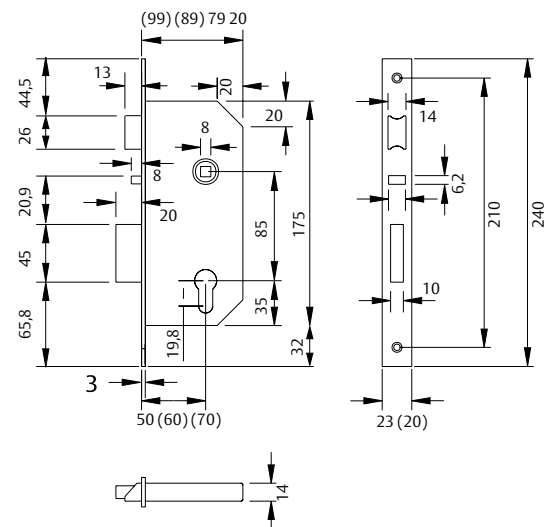
Features

- » Sashlock for timber doors.
- » Reversible latchbolt.
- » Distance between axes: 85 mm.
- » Backsets: 50/ 60/ 70 mm.
- » Follower: 8 mm. Thumbturn follower: 6 mm.
- » 1/2 rounded forend available.
- » Closed lockcase.
- » Euro-profile 5 pin cylinder made to DIN V 18254 with 3 nickel plated steel sawn keys. LP/ HL finish: brass finished cylinder. HN/ NE/ AI finish: nickel finished cylinder.
- » Packed: 1/20 units.



CERTIFIED ACCORDING
**UNE-EN
12209:2004**

2030F, 2030 E, 2030S		
HL	AI	NE
steel/pnt	steel/pnt	steel/pnt
steel/brass	stainless steel 430	steel/pnt
steel/brass	stainless steel 430	steel/pnt
st/nickel	st/nickel	st/nickel
st/nickel	st/nickel	st/nickel



Model	Follower	Anticard system	Interior operation	Exterior operation	Latchbolt	Deadbolt	Fire resistance	Antipanic	Notes
2030F	split	NO	handle/cylinder	handle/cylinder	YES	YES	YES	YES	Steel latchbolt.
2030F	standard	YES	handle/cylinder	cylinder	YES	YES	YES	YES	Steel latchbolt.
2S30	standard	YES	handle/cylinder	handle/cylinder	YES	YES	NO	YES	Silence latchbolt.
2035F	standard	NO	handle	handle	YES	NO	YES	NO	Passage door.
2037F	split	NO	bar/handle/cyl.	handle/cylinder	YES	NO	YES	YES	Reversible.
2038F	standard	NO	cylinder	cylinder	NO	NO	YES	YES	Sliding door.
2039F	standard	NO	handle	cylinder	YES	NO	YES	NO	Gate.
203MN	standard	YES	handle	cylinder	YES	YES	YES	YES	Automatic.