



# KEYLEX<sup>®</sup> SERIES 800

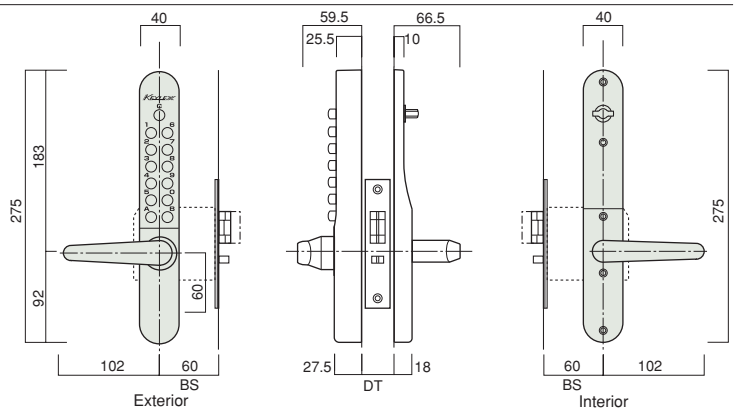
KEYLEX

A number of functions in a compact design. A series of easy to install rim dead locks and rim sliding door locks with auto lock functions.



★ Standard

22823  
Auto - double throw deadlatch

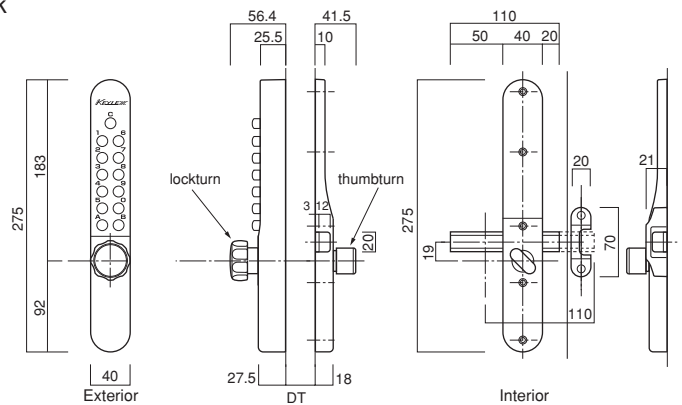


- **High quality mortice latch** - Solid bolt ensures re-locking at all times.
- **Double slot design** - Dead latch snaps back when locked increasing security.
- **Heavy duty mechanism** - Passed more than 400,000 general operational tests. (Internal company tests)
- **Entirely mechanical operation** - No electronics involved or electrical wiring involved.
- **Allows code combinations of up to 12 buttons** - Over 4,000 selectable code permutations.
- **Code scramble** - Allows all codes to be entered in any order.
- **Slipping clutch mechanism** - Nullifies forced attack or vandalism from the outside.
- **Passage function** - Allows free passage from both sides at code users' discretion.
- **Specially processed stainless steel buttons** - Does not indicate usage.
- **Free exit** - Provides escape from the inside, without code entry, regardless of the lock status.

### Optional



22804  
Surface rim lock



22805M  
Surface rim hook bolt for sliding door

