

KEYLEX[®] SERIES 500

KEYLEX

A compact design and reasonable cost lock series.
Auto locks, rim dead locks and mortice dead locks are available.



★ Standard

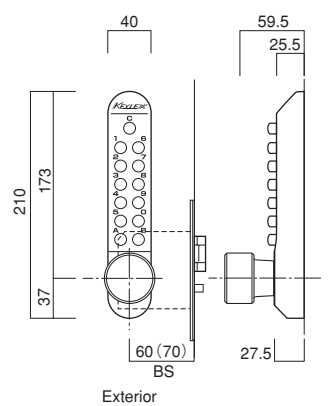
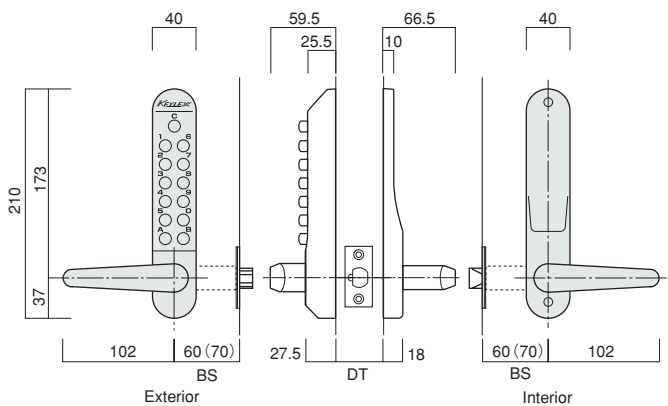
○ Optional

22222

Auto deadlatch (Tubular type)

22273

Auto lock

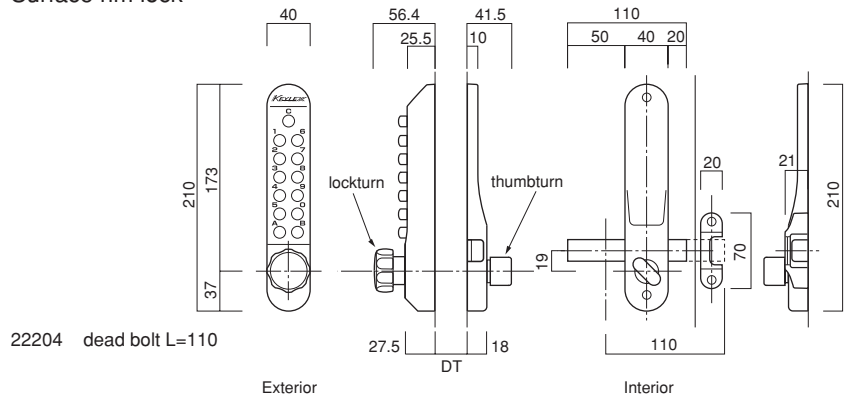


- **High quality tubular deadlocking latch** - Ensures secure re-locking every time.
- **Anti-thrust snib on latch** - Prevents latch from being prised back.
- **Heavy duty mechanism** - Passed more than 400,000 general operational tests. (Internal company tests)
- **Entirely mechanical operation** - No electronics involved or electrical wiring involved.
- **Allows code combinations of up to 12 buttons** - Over 4,000 selectable code permutations
- **Code scramble** - Allows all codes to be entered in any order.
- **Slipping clutch mechanism** - Nullifies forced attack or vandalism from the outside.
- **Specially processed stainless steel buttons** - Does not indicate usage.
- **Free exit** - Provides escape from the inside, without code entry, regardless of the lock status.

○ **Optional Passage function** - Allows free passage from both sides at code users' discretion. (22273F·22222F·22223F)



22204
Surface rim lock



22200
Dead lock

