

OHTORI KIKO



Diamond

FLOOR SPRINGS

- AUTO PIVOT
- PIVOT HINGES
- AUTO DOOR HINGES
- SPRING HINGES
- DOOR SELECTORS
- ROTARY DOOR STOPPERS



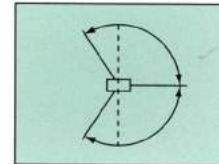
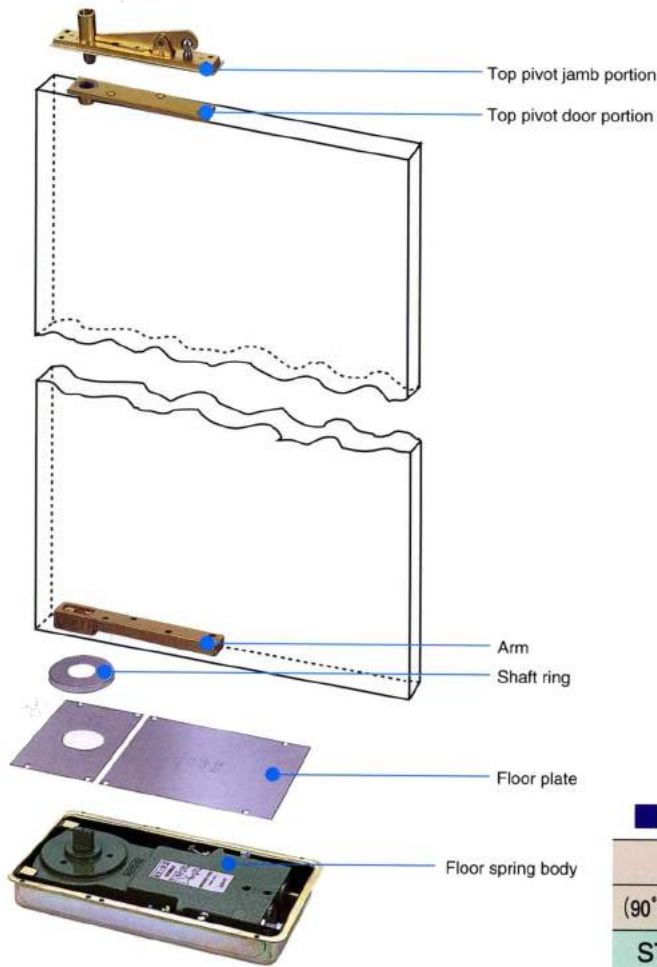
NEW

ST-210-ST-220

OHTORI KIKO CO.,LTD

FLOOR SPRINGS

CENTER HUNG Double Action



■ TIMBER and STEEL DOORS

NUMBER		MAXIMUM DOOR WIDTH		MAXIMUM DOOR WEIGHT (kgf)
(90°) Hold Open	Non-Hold Open	Exterior (mm)	Interior (mm)	
ST-210	T-210	850	900	70
ST-220	T-220	950	1,000	105
D-21	21	900	950	80
D-22	22	950	1,000	115
ST-32	T-32	950	1,000	125
ST-33	T-33	1,050	1,200	185
ST-81	T-81	850	950	100
ST-82	T-82	950	1,100	135
ST-83	T-83	1,050	1,200	195



ST-220



D-22



ST-32



ST-82

■ TEMPERED GLASS DOORS

NUMBER		MAXIMUM DOOR WIDTH		MAXIMUM DOOR WEIGHT (kgf)
(90°) Hold Open	Non-Hold Open	Exterior (mm)	Interior (mm)	
D-122	122	914	1,067	115
ST-132	T-132	914	1,067	125
ST-133	T-133	1,067	1,219	185
ST-181	T-181	762	914	100
ST-182	T-182	914	1,067	135
ST-183	T-183	1,067	1,219	195