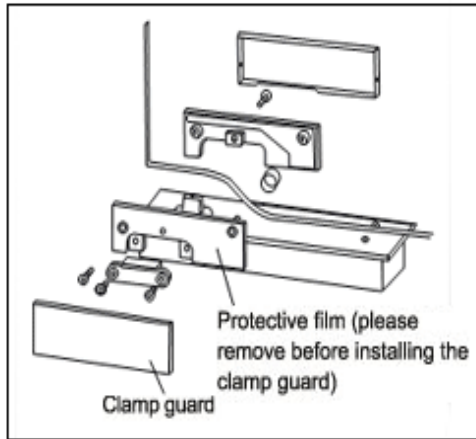
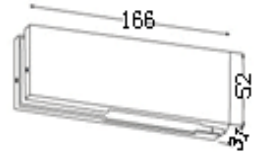




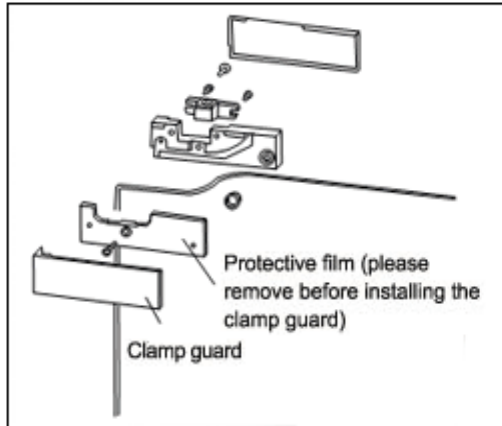
**ZC010**



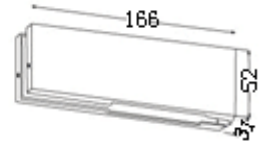
**ZC-010 Door bottom**



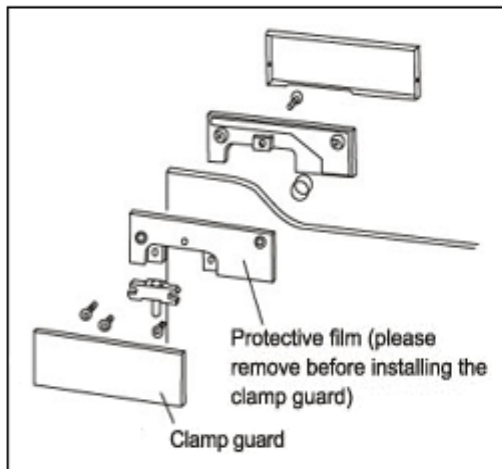
**ZC020**



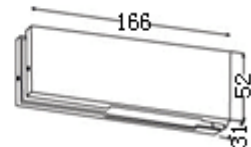
**ZC-020 Door top**



**ZC050**



**ZC-050 Door frame top**



**PT. CITRA AMANTOSA SEJATI** Kebon Jeruk Baru, Ruko blok A-15, Jakarta 11530

Phone : 021-5308435, 5323403, 5350058

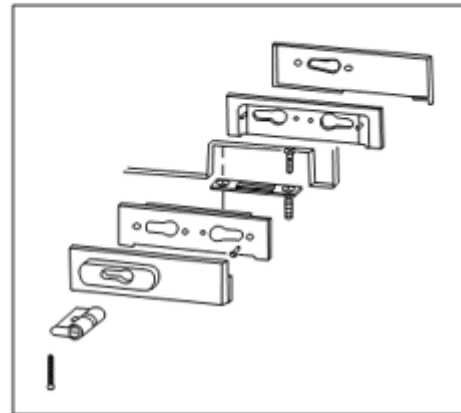
Fax : 021-5308434

E-mail : [amantosa@cas.co.id](mailto:amantosa@cas.co.id)

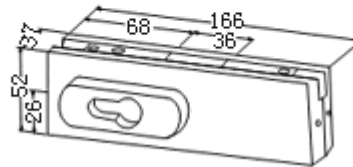
Web-site : <http://www.cas.co.id>



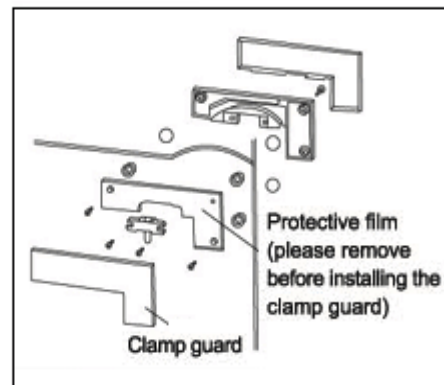
**ZC030**



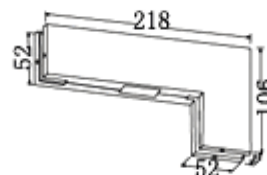
**ZC-030 Lock clamp**



**ZC040**

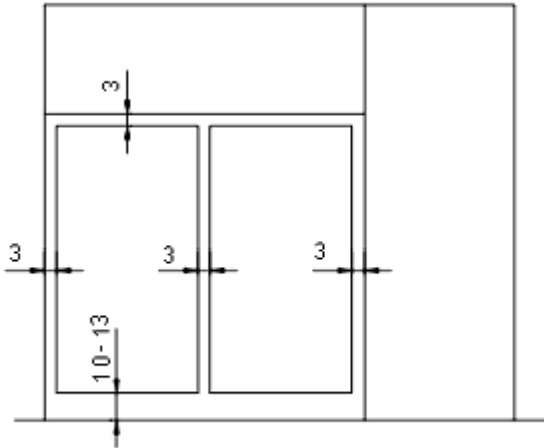


**ZC-040 Doorframe top**

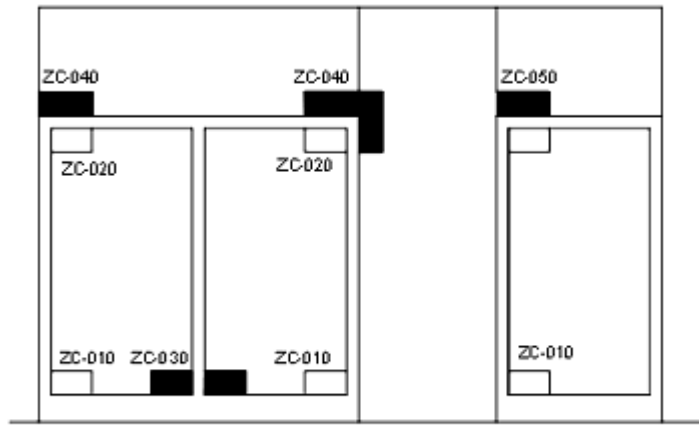


**CHARACTERISTICS:**

1. USE: Door Clamps and Lock Clamps are used in glass doors as a kind of decorative or functional accessories. They can be used together with ground springs.
2. Size of the gap between frame and door is showed in picture 1.
3. Installation chart please see picture 2. Door clamp: ZC-010,ZC-020,ZC-040,ZC-050; Lock clamp: ZC-030



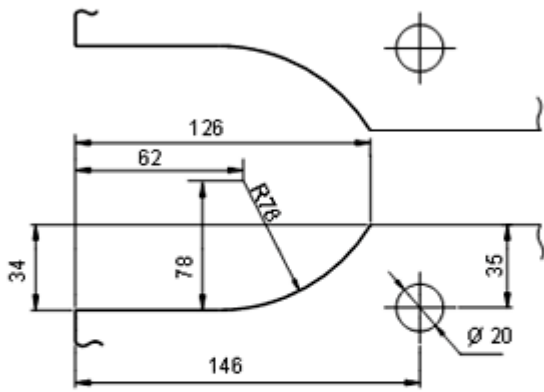
(Picture 1)



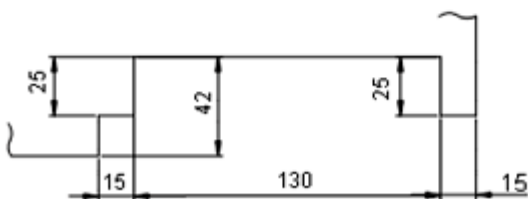
(Picture 2)

Size for glass door installation please see picture 3.

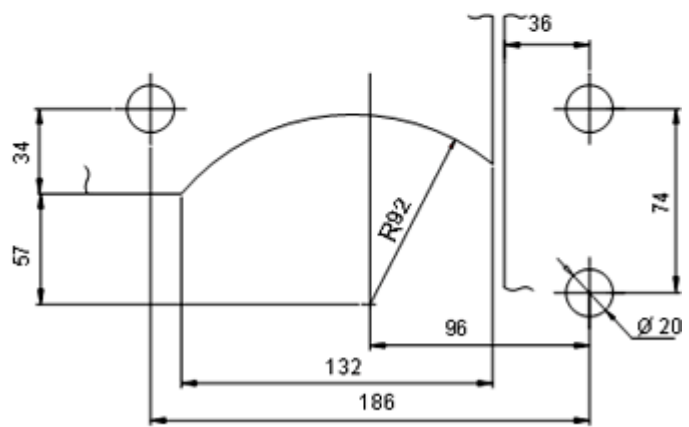
**A.ZC-010,ZC-020,ZC-050**



**C.ZC-030**



**B.ZC-040**



(Picture 3)

**PT. CITRA AMANTOSA SEJATI** Kebon Jeruk Baru, Ruko blok A-15, Jakarta 11530

Phone : 021-5308435, 5323403, 5350058

Fax : 021-5308434

E-mail : [amantosa@cas.co.id](mailto:amantosa@cas.co.id)

Web-site : <http://www.cas.co.id>